

Prizmatix

FC-BBW-LED Fiber Coupled Broadband White LED Light Source for Spectroscopy

Ver. 05

Introduction

The FC-BBW-LED Broadband White LED fiber coupled light source features wide emission spectrum from 400nm to 700nm. This wide spectrum is excellent for various reflection and transmission spectroscopy applications as well as color measurements. The FC-BBW-LED is a self-contained light source including all necessary driver electronics and thermal management, no special controller box is required to operate the module except a DC power adaptor.



Optical Specifications

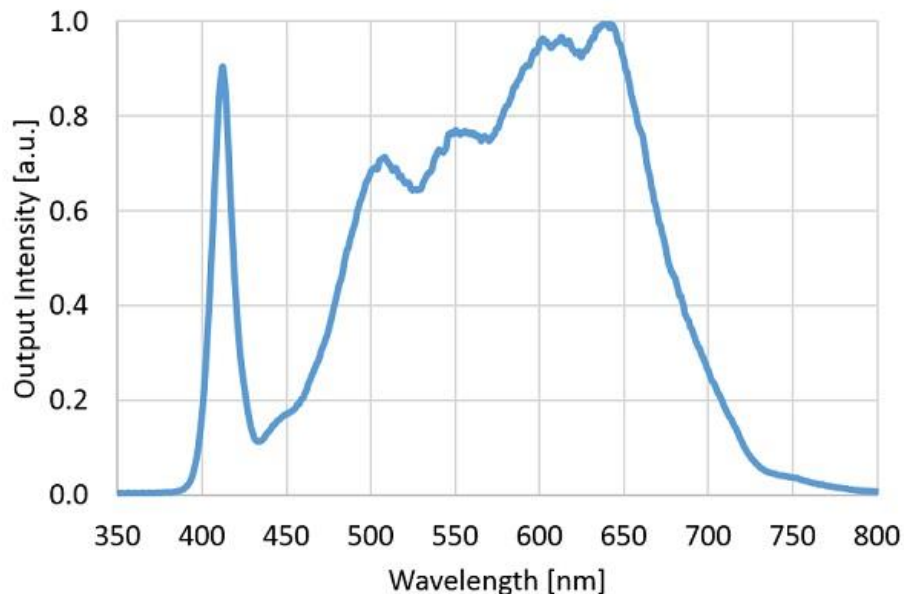


Fig. 2: Spectrum of FC-BBW-LED

Main Office

Phone: +972-72-2500097
Fax: +972-72-2500096
sales@prizmatix.com

European Sales Office

Phone: +44-(0)77-9172-9592
Fax: +44-(0)20-7681-2977
sales.europe@prizmatix.com

North America Sales Office

Phone: +1-(248)-436-8085
Fax: +1-(248)-281-5236
sales.usa@prizmatix.com

P.O.B. 244 Givat-Shmuel 5410102, Israel

Prizmatix

Typical optical power from distal end of 1m fiber:

Fiber Type	Fiber Core	Fiber NA	Output Power
Silica	50um	0.2	4.5uW
Silica	200um	0.22	180uW
Glass	200um	0.66	650uW
Glass	250um	0.66	1.3mW
Polymer	250um	0.5	800uW
Silica	400um	0.37	1.7mW
Polymer	1000um	0.5	12mW
Polymer	1000um	0.63	14mW

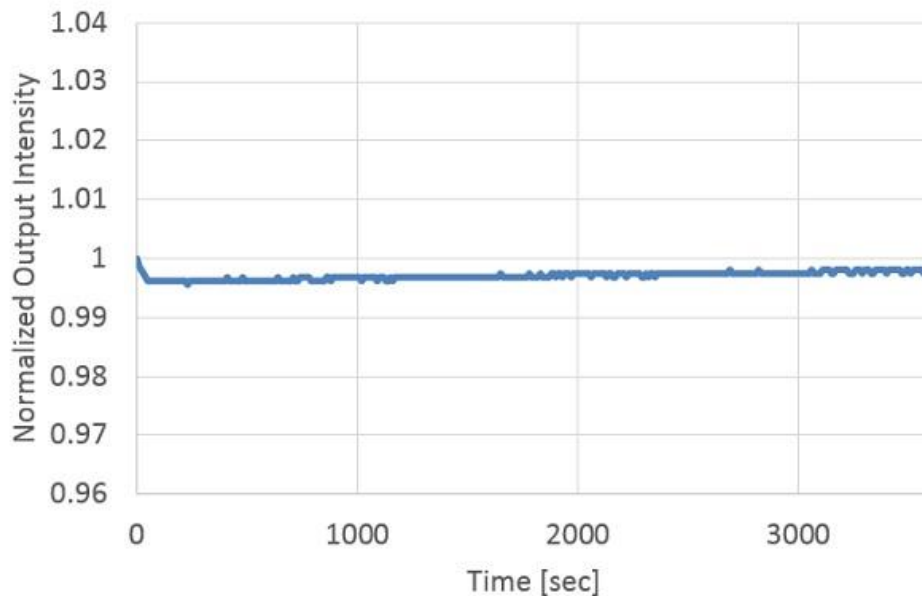


Fig. 3: Stability of FC-BBW-LED

Electrical Specifications

Input Voltage	Vdc	12
Power Adaptor Input		100-240 VAC, 50/60Hz, 0.7A

Main Office

Phone: +972-72-2500097
 Fax: +972-72-2500096
sales@prizmatix.com

European Sales Office

Phone: +44-(0)77-9172-9592
 Fax: +44-(0)20-7681-2977
sales.europe@prizmatix.com

North America Sales Office

Phone: +1-(248)-436-8085
 Fax: +1-(248)-281-5236
sales.usa@prizmatix.com

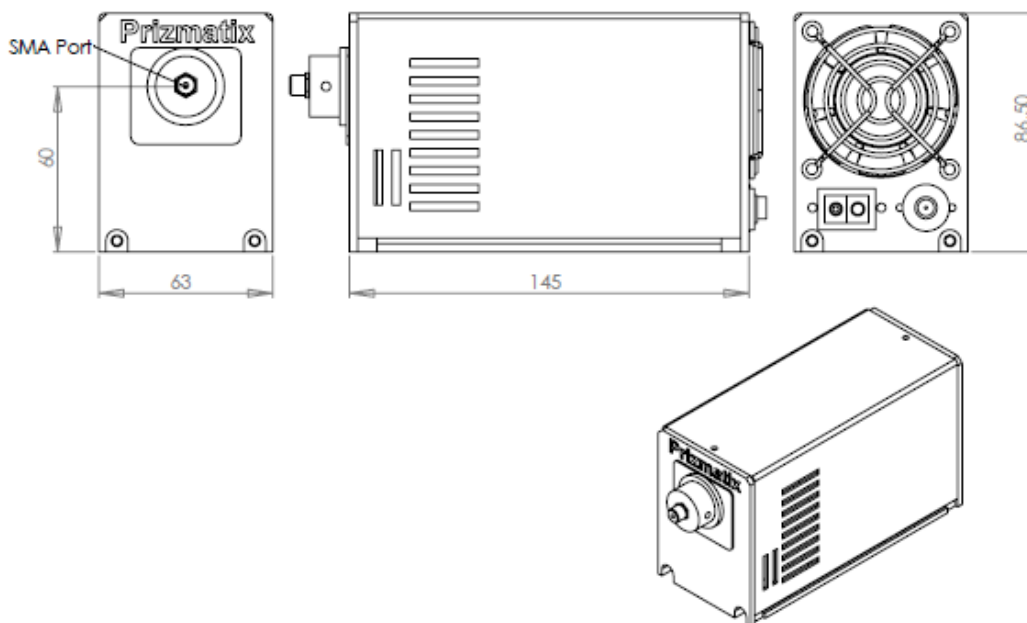
P.O.B. 244 Givat-Shmuel 5410102, Israel

Prizmatix

General Specifications

Operation temperature range	°C	10 - 35
Storage temperature range	°C	-10 - 55
Operating relative humidity (Non condensing)	%	<90
Dimensions		See drawing below
Head weight	g	700
Power adaptor dimensions (LxWxH)		90 x 53 x 35
Power adaptor weight	g	190
Power Adaptor Safety		

Mechanical Drawings



* Specifications subject to changes without notice

Main Office

Phone: +972-72-2500097
 Fax: +972-72-2500096
sales@prizmatix.com

European Sales Office

Phone: +44-(0)77-9172-9592
 Fax: +44-(0)20-7681-2977
sales.europe@prizmatix.com

North America Sales Office

Phone: +1-(248)-436-8085
 Fax: +1-(248)-281-5236
sales.usa@prizmatix.com

P.O.B. 244 Givat-Shmuel 5410102, Israel