

Prizmatix

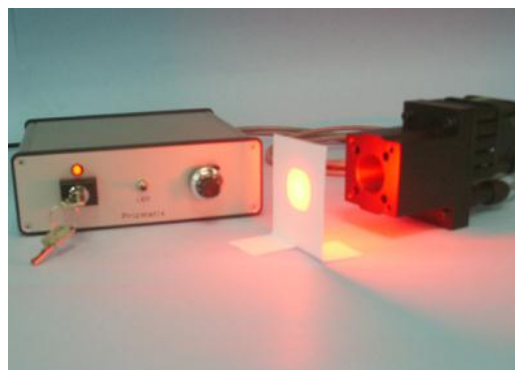
UHP-Mic-LED-White

Ultra High Power LED Light Source for Fluorescence Microscopy

Introduction

The Ultra High Power LED provides almost x10 increase of power in comparison with similar High Power LED devices. The Ultra High Power White LED (29 Watt) is an effective replacement of Mercury and Xenon lamps in many power demanding applications, such as fluorescence microscopy and machine vision.

This new member of the modular OptiBlocks family provides **>2 Watt of *collimated*** White LED power on its output. The LED driver supports CW or pulsed operation via TTL trigger.



Key Features

- Compatible with Prizmatix modular Microscope-LED Light Source products family – see below for details
- Single chip Ultra High Brightness White LED
- Optically isolated TTL input for external triggering (no shutter needed)
- LED spectrum can be narrowed by optional band pass filter or a filter wheel.
- Analog Input for external power control by A/D module (Optional feature)
- Computer control via USB and LabView software (Optional feature)
- Excellent for fluorescence excitation
- Stable precisely adjustable power
- Long life (no lamp or laser tube replacement required)
- Rapid warm up time

Applications

- Fluorescence microscopy
- Whole body imaging of small animals in-vivo
- Bio analysis
- Machine Vision

Main Office

Phone: +972-72-2500097
Fax: +972-72-2500096
sales@prizmatix.com

European Sales Office

Phone: +44-(0)77-9172-9592
Fax: +44-(0)20-7681-2977
sales.europe@prizmatix.com

North America Sales Office

Phone: +1-(248)-436-8085
Fax: +1-(248)-281-5236
sales.usa@prizmatix.com

P.O.B. 4234 Modiin-Ilite 71919, Israel

Prizmatix

Optical Specifications

Wavelength	nm	See Spectrum
Collimated optical power output	mW	>2000

Benchtop LED Current Controller Specifications

Features

- Constant current or chopping modes
- Precise LED current setting by 10 turn dial
- TTL external trigger input
- Compact and robust enclosure

Digital modulation input		Optically isolated TTL
Connector for TTL input		BNC
Digital modulation frequency	Hz	DC-30000
Rise / Fall time (10% - 90%)	µs	6
ON/OFF extinction		>10 ⁶ : 1
Input Voltage	V	12
Max Input current	A	5.5
Power Adaptor Input		100-240 VAC, 50-60Hz, 1.5A

General Specifications

Operation temperature range	°C	10-35
Storage temperature range	°C	-10-55
Operating relative humidity (Non condensing)	%	<90
Head dimensions		See drawing below
Head weight	g	500
Controller dimensions (LxWxH)		220mm x 165mm x 51.5mm
Controller weight	g	700
Power adaptor dimensions (LxWxH)		146mm x 76mm x 44mm
Power adaptor weight	g	600
Fan noise	dBA	38

Main Office

Phone: +972-72-2500097
Fax: +972-72-2500096
sales@prizmatix.com

European Sales Office

Phone: +44-(0)77-9172-9592
Fax: +44-(0)20-7681-2977
sales.europe@prizmatix.com

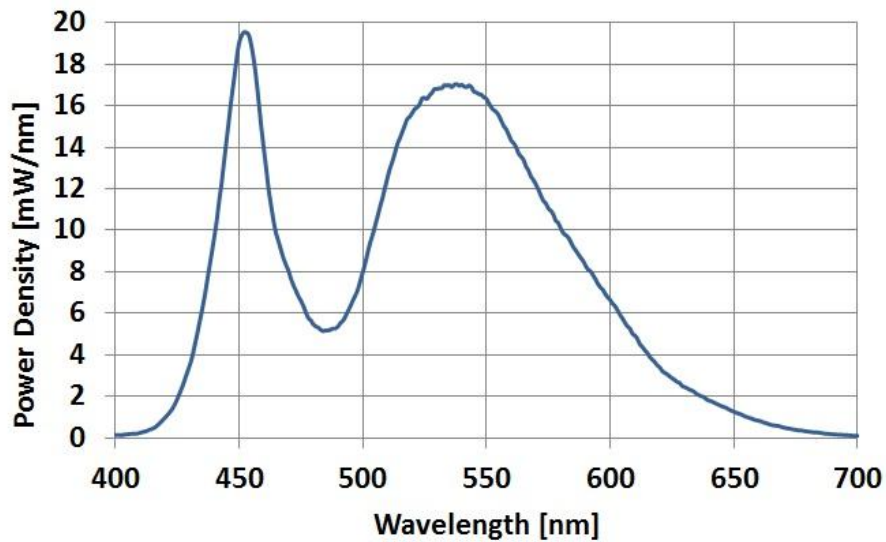
North America Sales Office

Phone: +1-(248)-436-8085
Fax: +1-(248)-281-5236
sales.usa@prizmatix.com

P.O.B. 4234 Modiin-Ilite 71919, Israel

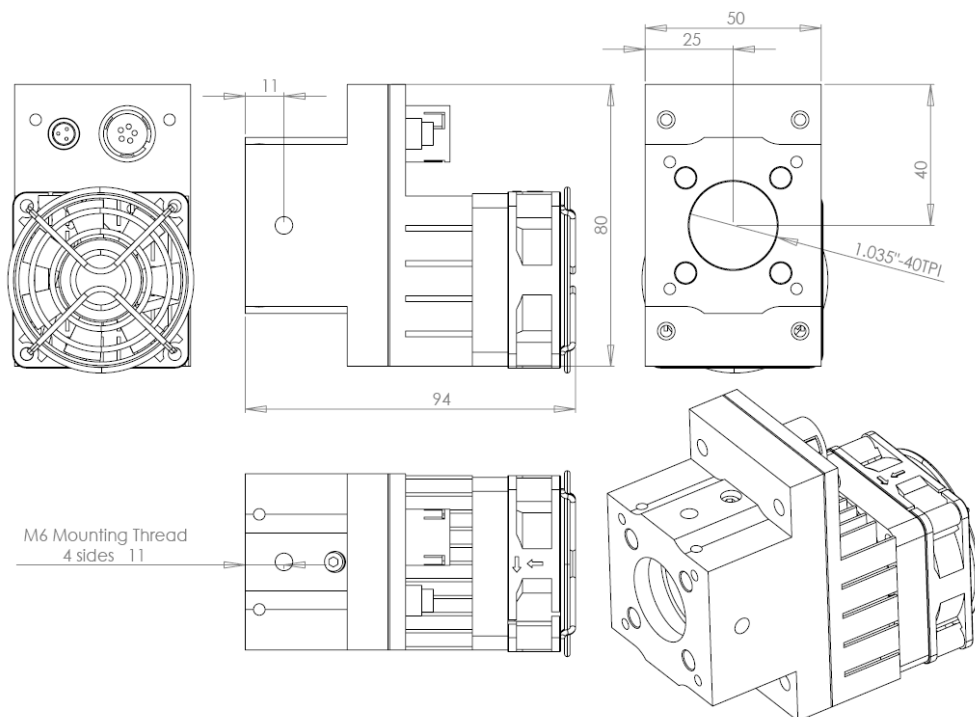
Prizmatix

Performance



- UHP-Mic-LED-White spectrum

Mechanical Drawings



Main Office

Phone: +972-72-2500097
Fax: +972-72-2500096
sales@prizmatix.com

European Sales Office

Phone: +44-(0)77-9172-9592
Fax: +44-(0)20-7681-2977
sales.europe@prizmatix.com

North America Sales Office

Phone: +1-(248)-436-8085
Fax: +1-(248)-281-5236
sales.usa@prizmatix.com

P.O.B. 4234 Modiin-Ilite 71919, Israel

Prizmatix

Optional Accessories

Filter Wheel:

The UHP-Mic-LED can be equipped with a 6 positions filter wheel at the beam output. This accessory is especially useful for UHP-Mic-LED-White light source. Please see video clip <http://www.youtube.com/watch?v=iv7dlwLHaUE> for more details.

Fiber Coupler Adaptor:

The UHP-Mic-LED can be easily changed from direct microscope coupling to fiber coupled LED configuration by means of Fiber Coupler Adaptor (SMA, CF or ST connector). This adaptor can be easily assembled by a user on the Mic-LED output. Please see video clip <http://www.youtube.com/watch?v=iv7dlwLHaUE> for more details.

Liquid Light Guide Adaptor:

The Microscope-LED can be easily changed from direct microscope coupling to Liquid Light Guide coupled LED configuration by means of LLGA Adaptor. This adaptor can be easily assembled by a user on the Mic-LED output. Please see video clip <http://www.youtube.com/watch?v=iv7dlwLHaUE> for more details.

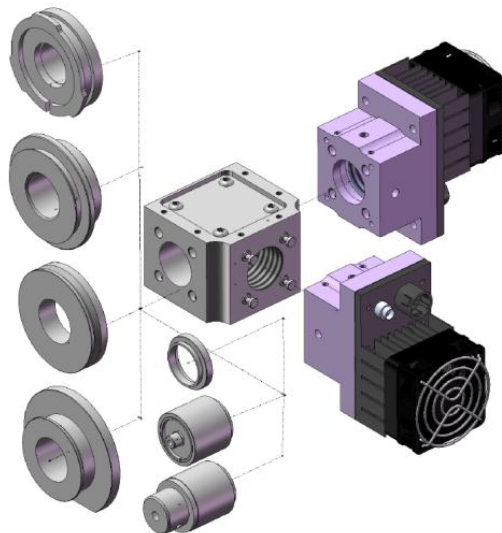
Collimator:

The output from optical fiber is divergent according to fiber NA. In order to reduce the divergence angle a collimator module can be used. Prizmatix collimator was especially designed to fit thick core high NA Polymer Optical Fibers. See more details at <http://prizmatix.com/docs/collimator.cfm>

Fiber Bundles:

To combine outputs of multiple LEDs a Y-shaped fiber bundle with two or more input branches can be used. Prizmatix can help to configure and build custom fiber bundles for specific applications. See more details at:

http://prizmatix.com/docs/Custom_Fiber_Optic_Assemblies.cfm



Main Office

Phone: +972-72-2500097
Fax: +972-72-2500096
sales@prizmatix.com

European Sales Office

Phone: +44-(0)77-9172-9592
Fax: +44-(0)20-7681-2977
sales.europe@prizmatix.com

North America Sales Office

Phone: +1-(248)-436-8085
Fax: +1-(248)-281-5236
sales.usa@prizmatix.com

P.O.B. 4234 Modiin-Ilite 71919, Israel
