

Prizmatix

UHP-T-LED-390 Ultra High Power UV LED Light Source

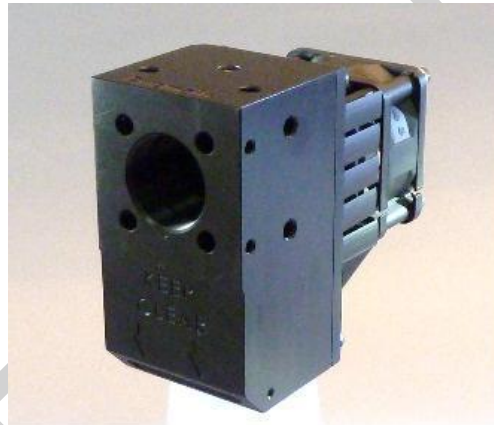
Ver. 03

Introduction

The Ultra High Power 390nm UV LED (48 Watt) is an effective replacement of Mercury lamps in many power demanding applications, such as curing of UV adhesives, fluorescence microscopy, imaging, inspection and machine vision.

This new member of the modular OptiBlocks family provides **>3.4 Watt of collimated** 390nm UV LED power at output. The LED driver supports CW or pulsed operation via TTL triggering.

The UV LED can be also coupled to a liquid light guide or optical fiber.



Key Features

- Compatible with Prizmatix modular Microscope-LED Light Source products family – see below for details
- Single chip ultra-high brightness UV LED
- Optically isolated TTL input for external triggering (no shutter needed)
- Computer control via USB and LabView software (optional)
- Stable precisely adjustable power
- Long life (no lamp or laser tube replacement required)
- Rapid warm up time

Applications

- Curing of UV curing adhesives
- Photolysis of caged compounds (uncaging)
- Photo-Activation, Photo-Switching (Kaede)
- DAPI, Quantum Dots, BFP, Fura, Hoechst, excitation
- Whole body imaging of small animals in-vivo
- Bio analysis
- Inspection and machine vision
- OEM

Main Office

Phone: +972-72-2500097
Fax: +972-72-2500096
sales@prizmatix.com

European Sales Office

Phone: +44-(0)77-9172-9592
Fax: +44-(0)20-7681-2977
sales.europe@prizmatix.com

North America Sales Office

Phone: +1-(248)-436-8085
Fax: +1-(248)-281-5236
sales.usa@prizmatix.com

P.O.B. 4234 Modiin-Ilite 71919, Israel

Prizmatix

Optical Specifications

Wavelength	nm	390
Wavelength range	nm	5
Spectrum half width	nm	15
Collimated optical power output	Watt	>3.4
Coupled to liquid light guide 3mm	mW	>820
Coupled to 1mm core polymer fiber NA=0.5	mW	>100

- Above values are for CW operation mode. Pulsed models provide around 30% more power, please inquire.

Benchtop LED Current Controller Specifications

- Constant current or chopping modes
- Precise LED current setting by 10-turn dial
- TTL external trigger input
- Compact and robust enclosure



Digital modulation input		Optically isolated TTL
Connector for TTL input		BNC
Digital modulation frequency	Hz	DC-10000
Rise / Fall time (10% - 90%)	μ s	<20
Input voltage	V	12
Max input current	A	6.5
Power adaptor input		85-264 VAC, 47-63Hz, 1.5A

General Specifications

Operation temperature range	$^{\circ}$ C	10 - 35
Storage temperature range	$^{\circ}$ C	-10 - 55
Operating relative humidity (Non condensing)	%	<90
LED head dimensions		See drawing below
LED head weight	g	350
Controller dimensions (L x W x H)	mm	197 x 174 x 80
Controller weight	g	400
Power adaptor dimensions (L x W x H)	mm	175 x 72 x 35
Power adaptor weight	g	650

Main Office

Phone: +972-72-2500097
Fax: +972-72-2500096
sales@prizmatix.com

European Sales Office

Phone: +44-(0)77-9172-9592
Fax: +44-(0)20-7681-2977
sales.europe@prizmatix.com

North America Sales Office

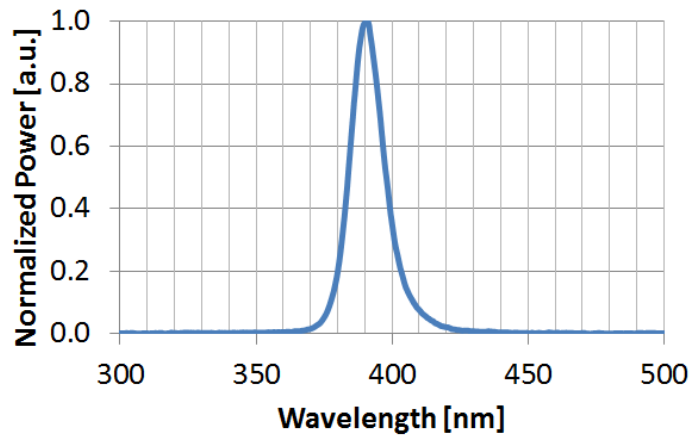
Phone: +1-(248)-436-8085
Fax: +1-(248)-281-5236
sales.usa@prizmatix.com

P.O.B. 4234 Modiin-Ilite 71919, Israel

Prizmatix

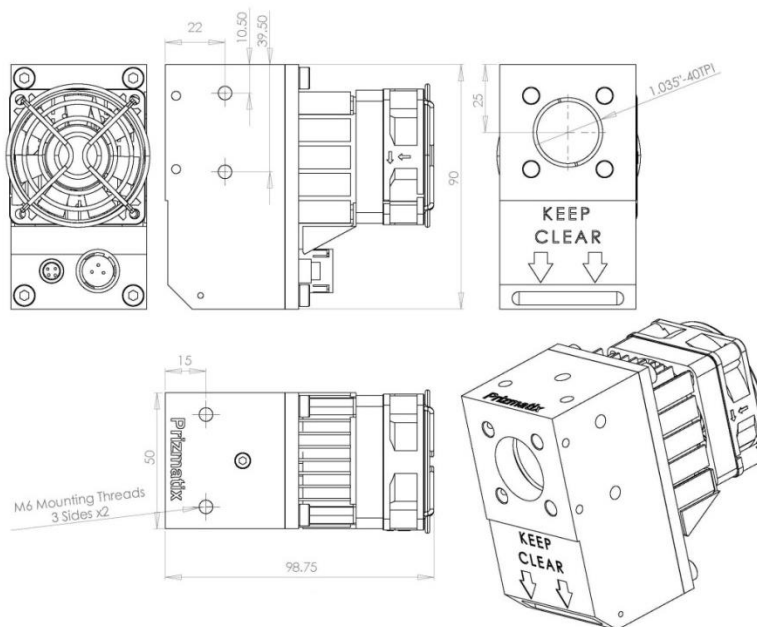
Power Adaptor Safety		
Head fan noise	dBA	38

Performance



- UHP-T-LED-390 spectrum

Mechanical Drawings



* Specifications subject to changes without notice

Main Office

Phone: +972-72-2500097
Fax: +972-72-2500096
sales@prizmatix.com

European Sales Office

Phone: +44-(0)77-9172-9592
Fax: +44-(0)20-7681-2977
sales.europe@prizmatix.com

North America Sales Office

Phone: +1-(248)-436-8085
Fax: +1-(248)-281-5236
sales.usa@prizmatix.com

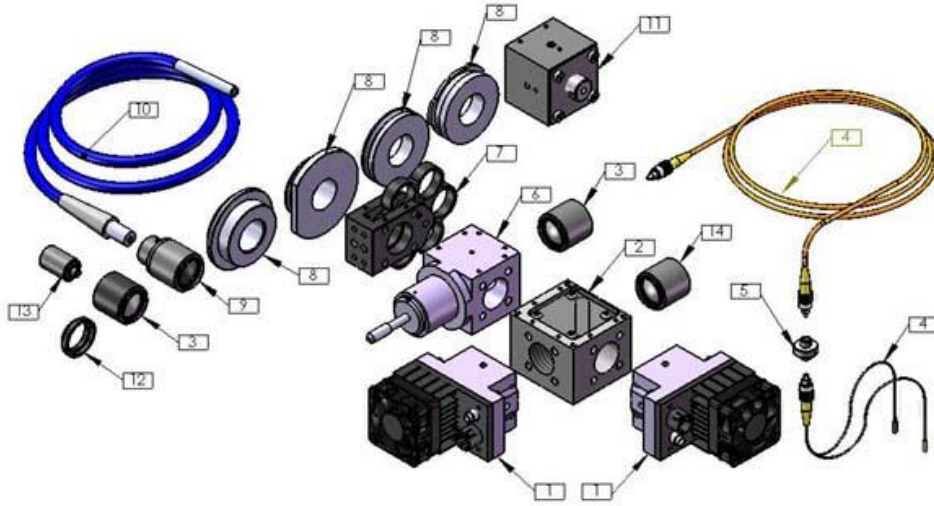
P.O.B. 4234 Modiin-Ilite 71919, Israel

Prizmatix

Optional Accessories

For more details on optional accessories please see:

<http://www.prizmatix.com/optogenetics/Optogenetics-LED-Light-Sources-and-Fiber-Optics.htm>



Filter Wheel [7]:

The UHP-Mic-LED can be equipped with a 6 positions filter wheel at beam output.

Please see <http://www.prizmatix.com/Optics/filter-wheel.htm> for more details.

Fiber Coupler Adaptor [3]:

The UHP-T-LED can be easily changed from direct microscope coupling to a fiber coupled LED configuration by means of Fiber Coupler Adaptor (SMA, CF or ST connector). This adaptor can be easily assembled by a user on the LED output.

Please see video clip <http://www.youtube.com/watch?v=iv7dlwLHaUE> for more details.

Liquid Light Guide Adaptor [9]:

The UHP-T-LED can be quickly and simply attached to a Liquid Light Guide by means of the LLGA adaptor. Please see video clip <http://www.youtube.com/watch?v=iv7dlwLHaUE> for more details.

Fiber Optics Collimator [13]:

Output from an optical fiber is divergent according to fiber NA. In order to reduce the divergence angle a collimator can be used. Prizmatix's collimator is especially designed to fit thick core high NA polymer optical fibers. See more details at: <http://www.prizmatix.com/Optics/collimator.htm>

Fiber Bundles [4]:

The outputs of multiple LEDs can be combined using a Y-shaped fiber bundle with two or more input branches. Prizmatix can help to configure and build custom fiber bundles for specific applications. See more details at: <http://www.prizmatix.com/dev/Custom-Fiber-Optic-Assemblies.htm>

Main Office

Phone: +972-72-2500097
Fax: +972-72-2500096
sales@prizmatix.com

European Sales Office

Phone: +44-(0)77-9172-9592
Fax: +44-(0)20-7681-2977
sales.europe@prizmatix.com

North America Sales Office

Phone: +1-(248)-436-8085
Fax: +1-(248)-281-5236
sales.usa@prizmatix.com

P.O.B. 4234 Modiin-Ilite 71919, Israel