

# Prizmatix

---

## UHP-Mic-LED-630

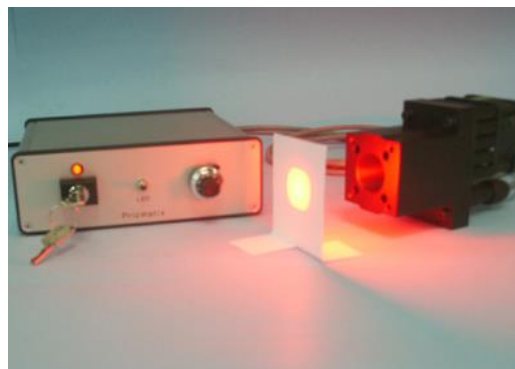
### Ultra High Power LED Light Source for Fluorescence Microscopy

Ver. 10

#### Introduction

The Ultra High Power LED provides almost x10 increase of power in comparison with similar High Power LED devices. The Ultra High Power LED (22Watt) is an effective replacement of lasers and lamps in many power demanding applications, such as fluorescence microscopy, machine vision, chemical reaction activation and numerous others.

This new member of the modular OptiBlocks family provides **>0.8 Watt of *collimated* Red LED** power on its output. The LED driver supports CW or pulsed operation.



#### Key Features

- Compatible with Prizmatix modular Microscope-LED Light Source products family – see below for details
- Single chip Ultra High Brightness red LED
- Optically isolated TTL input for external triggering (no shutter needed)
- LED spectrum can be narrowed by optional band pass filter or a filter wheel.
- Analog Input for external power control by A/D module (Optional feature)
- Computer control via USB and LabView software (Optional feature)
- Excellent for fluorescence excitation
- Stable precisely adjustable power
- Long life (no lamp or laser tube replacement required)
- Rapid warm up time

#### Applications

- Fluorescence microscopy Cy5, Alexa Fluor 633
- Whole body imaging of small animals in-vivo
- Photo activation (PA)
- Fluorescence recovery after photo bleach (FRAP)
- Fluorescence in situ hybridization (FISH)
- Bio analysis
- Machine Vision

---

#### Main Office

Phone: +972-72-2500097  
Fax: +972-72-2500096  
sales@prizmatix.com

#### European Sales Office

Phone: +44 (0)77-9172-9592  
Fax: +44 (0)20-7681-2977  
sales.europe@prizmatix.com

#### North America Sales Office

Phone: +1-(248)-436-8085  
Fax: +1-(248)-281-5236  
sales.usa@prizmatix.com

---

P.O.B. 244 Givat-Shmuel 5410102, Israel

---

# Prizmatix

## Optical Specifications

Wavelength	nm	630
Wavelength range	nm	±7
Spectrum half width	nm	17
Collimated optical power output	mW	>800


## Benchtop LED Current Controller Specifications

### Features

- Constant current or chopping modes
- TTL external trigger input
- Precise LED current setting by 10 turn dial
- Power settings by Analog input (0-5V) – optional
- Computer USB interface - optional
- Compact and robust enclosure

Digital modulation input		Optically isolated TTL
Connector for TTL input		BNC
Digital modulation frequency	Hz	DC-30000
Rise / Fall time (10% - 90%)	µs	<1.5
Input Voltage	V	12
Max Input current	A	5.5
Power Adaptor Input		100-240 VAC, 50-60Hz, 1.5A

## General Specifications

Operation temperature range	°C	10-35
Storage temperature range	°C	-10-55
Operating relative humidity (Non condensing)	%	<90
Head dimensions		See drawing below
Head weight	g	500
Controller dimensions (LxWxH)		220mm x 165mm x 51.5mm
Controller weight	g	700
Power adaptor dimensions (LxWxH)	mm	125 x 50 x 31.5
Power adaptor weight	g	300
Power Adaptor Safety		
Fan noise	dBA	38

### Main Office

Phone: +972-72-2500097  
Fax: +972-72-2500096  
sales@prizmatix.com

### European Sales Office

Phone: +44 (0)77-9172-9592  
Fax: +44 (0)20-7681-2977  
sales.europe@prizmatix.com

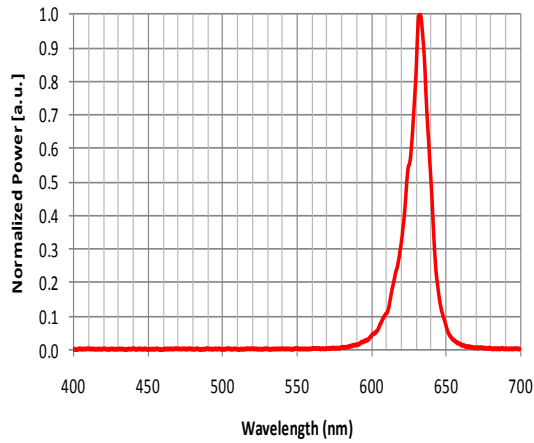
### North America Sales Office

Phone: +1-(248)-436-8085  
Fax: +1-(248)-281-5236  
sales.usa@prizmatix.com

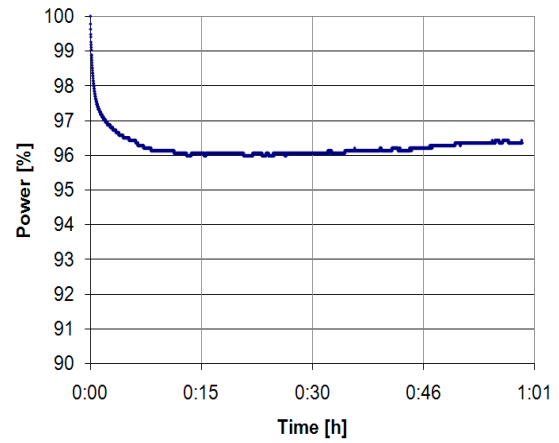
P.O.B. 244 Givat-Shmuel 5410102, Israel

# Prizmatix

## Performance

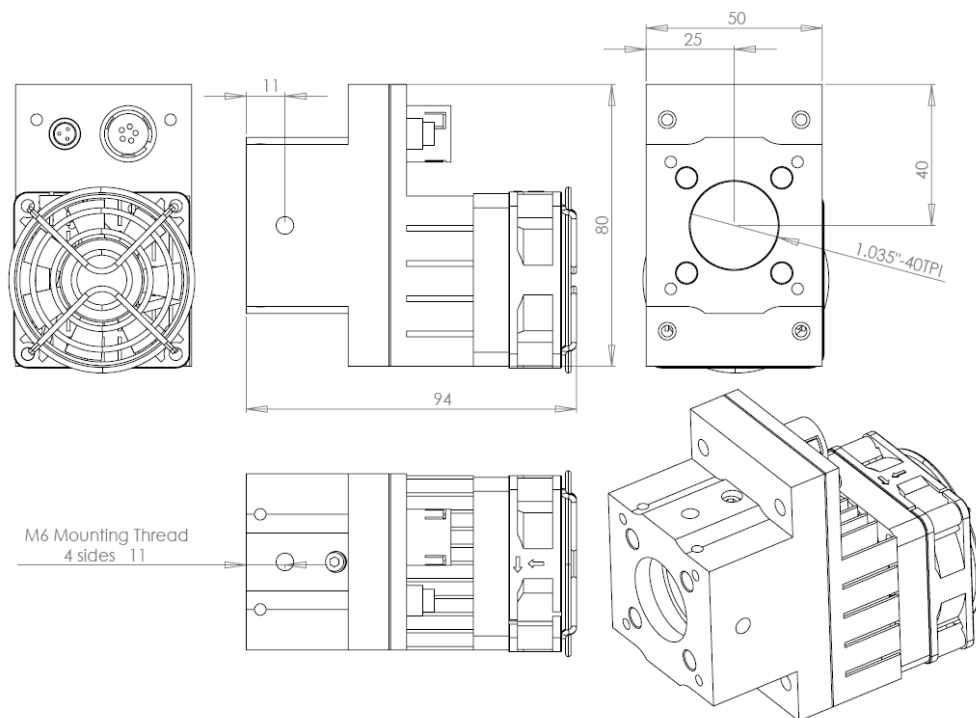


- UHP-Mic-LED-630 spectrum



- UHP-Mic-LED-630 Stability

## Mechanical Drawings



### Main Office

Phone: +972-72-2500097

Fax: +972-72-2500096

sales@prizmatix.com

### European Sales Office

Phone: +44 (0)77-9172-9592

Fax: +44 (0)20-7681-2977

sales.europe@prizmatix.com

### North America Sales Office

Phone: +1-(248)-436-8085

Fax: +1-(248)-281-5236

sales.usa@prizmatix.com

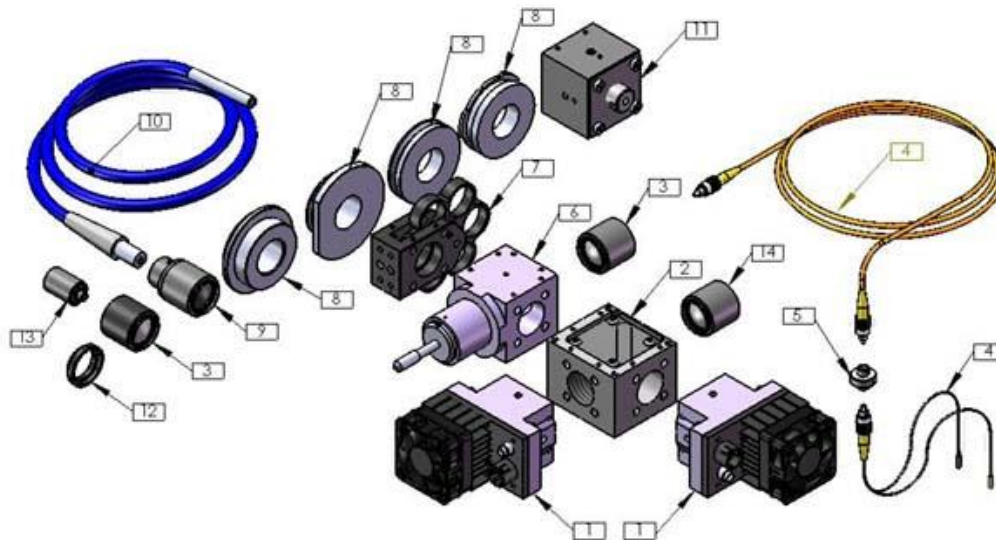
P.O.B. 244 Givat-Shmuel 5410102, Israel

# Prizmatix

## Optional Accessories

For full details on optional accessories please see:

<http://www.prizmatix.com/optogenetics/Optogenetics-LED-Light-Sources-and-Fiber-Optics.htm>



### Beam Combiner [2]:

Multiple LED beams can be combined into one output beam. For example UV LED can be combined with White LED to create Mercury lamp like configuration. For more details please see: <http://www.youtube.com/watch?v=iv7dlwLHaUE>

### Filter Wheel [7]:

The UHP-Mic-LED can be equipped with a 6 positions filter wheel at the beam output. This accessory is especially useful for UHP-Mic-LED-White light source.

Please see <http://www.prizmatix.com/Optics/filter-wheel.htm> for more details.

### Fiber Coupler Adaptor [3]:

The UHP-Mic-LED can be easily changed from direct microscope coupling to fiber coupled LED configuration by means of Fiber Coupler Adaptor (SMA, CF or ST connector). Please see video clip <http://www.youtube.com/watch?v=iv7dlwLHaUE> for more details.

### Liquid Light Guide Adaptor [9]:

The Microscope-LED can be easily changed from direct microscope coupling to Liquid Light Guide coupled LED configuration by means of LLGA adaptor. Please see video clip

<http://www.youtube.com/watch?v=iv7dlwLHaUE> for more details.

### Fiber Optics Collimator [13]:

The output from optical fiber is divergent according to fiber NA. In order to reduce the divergence angle a collimator module can be used. Prizmatix collimator was especially designed to fit thick core high NA Polymer Optical Fibers. See more details at:

<http://www.prizmatix.com/Optics/collimator.htm>

### Fiber Bundles [4]:

To combine outputs of multiple LEDs a Y-shaped fiber bundle with two or more input branches can be used. Prizmatix can help to configure and build custom fiber bundles for specific applications. See more details at: <http://www.prizmatix.com/dev/Custom-Fiber-Optic-Assemblies.htm>

---

#### Main Office

Phone: +972-72-2500097

Fax: +972-72-2500096

[sales@prizmatix.com](mailto:sales@prizmatix.com)

#### European Sales Office

Phone: +44 (0)77-9172-9592

Fax: +44 (0)20-7681-2977

[sales.europe@prizmatix.com](mailto:sales.europe@prizmatix.com)

#### North America Sales Office

Phone: +1-(248)-436-8085

Fax: +1-(248)-281-5236

[sales.usa@prizmatix.com](mailto:sales.usa@prizmatix.com)

---

P.O.B. 244 Givat-Shmuel 5410102, Israel