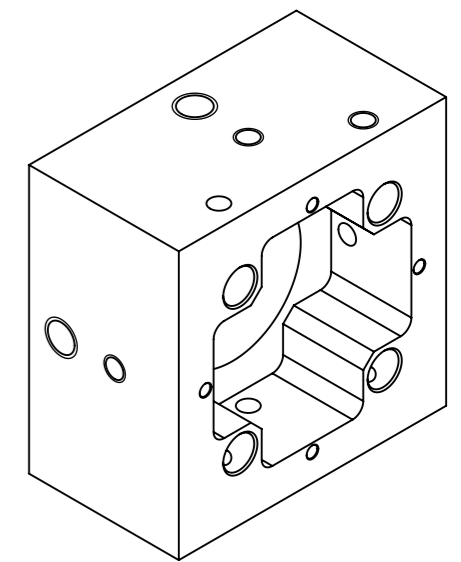
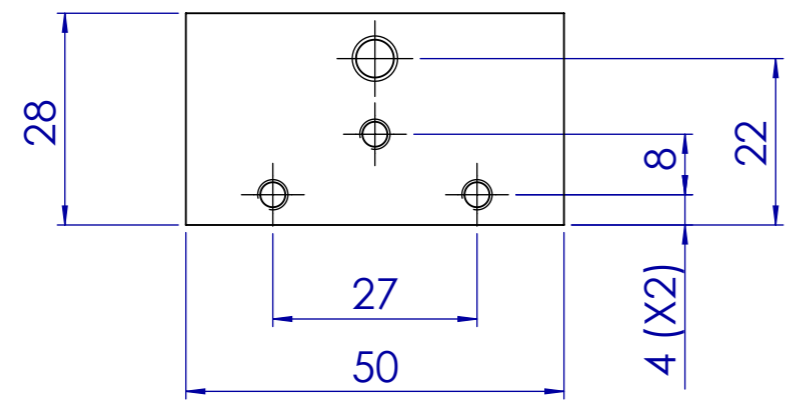
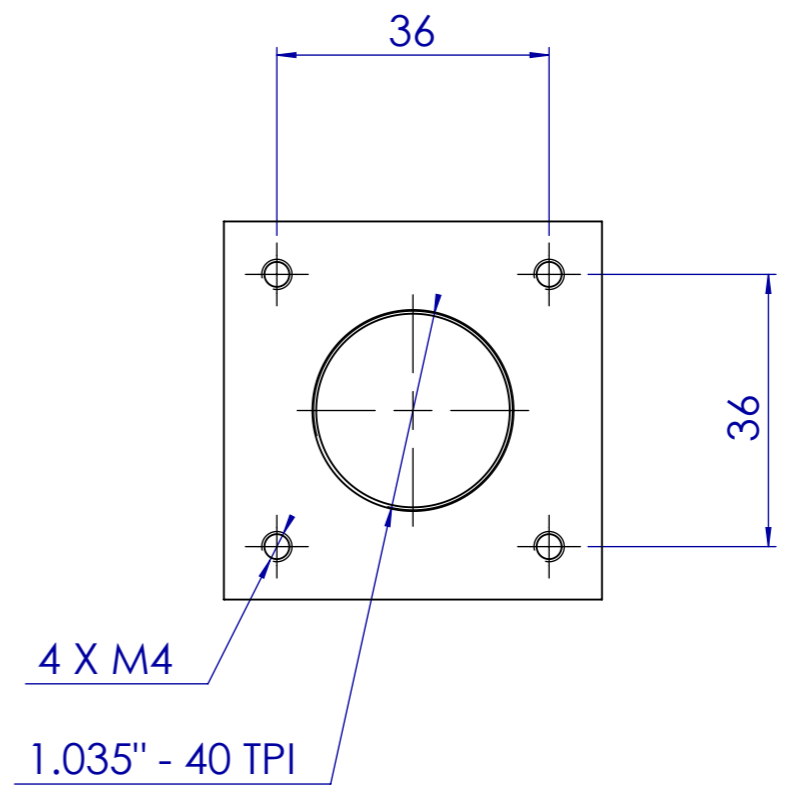
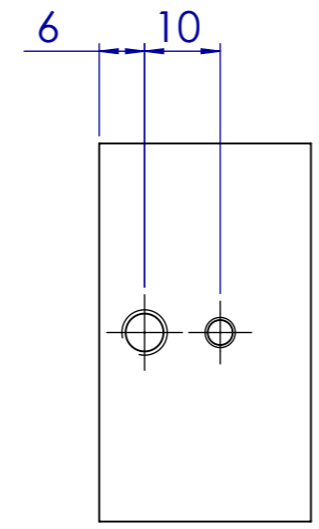
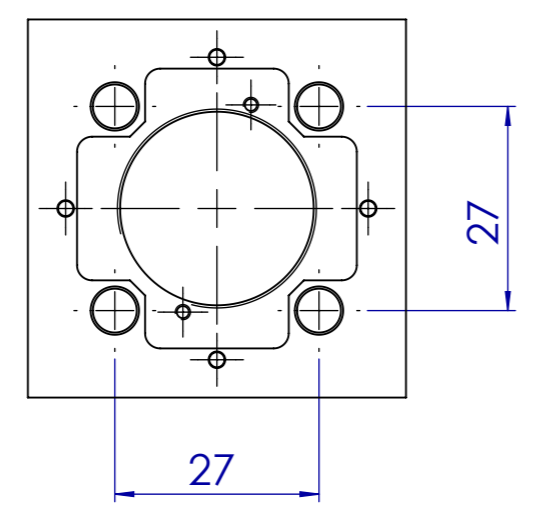
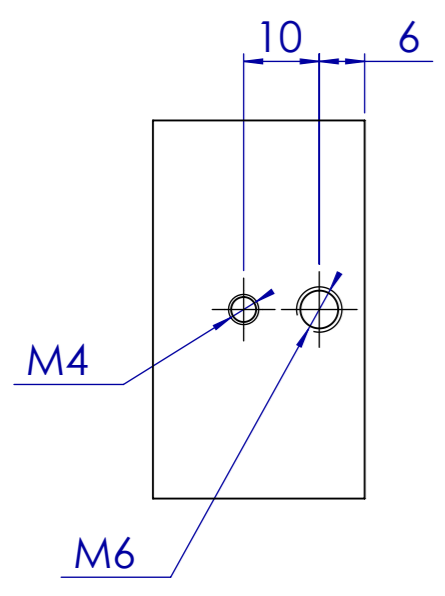
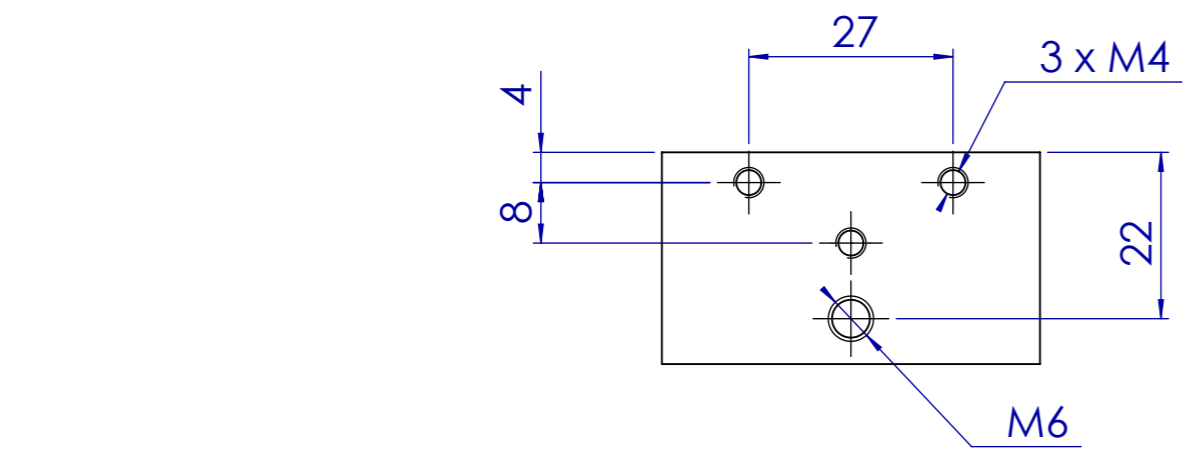


REVISIONS			
REV.	DESCRIPTION	DATE	APPROVED



FINISH: -				DIMENSIONS ARE IN mm. UNLESS OTHERWISE SPECIFIED		SCALE 1:1		Prizmatix	
MATERIAL AL. 6061 - T6				TOLERANCES		DESCRIPTION BLK FIBER ENT			
DESIGN	ADI G.	ADI G.	15/5/2007	LINEAR DIM.	±0.1	DWG. No.		REV.	
DRAWN	ADI G.	ADI G.	15/5/2007	BORE	±0.1	PM4001560		0	
APPR.	-	-	-	ANGULAR DIM.	±0.5°	3-D PROJ			
DRG. SIZE	SURFACE ROUGHNESS: N6		A3	BREAK SHARP EDGES 0.2X45°		SHEET 1 OF 1			