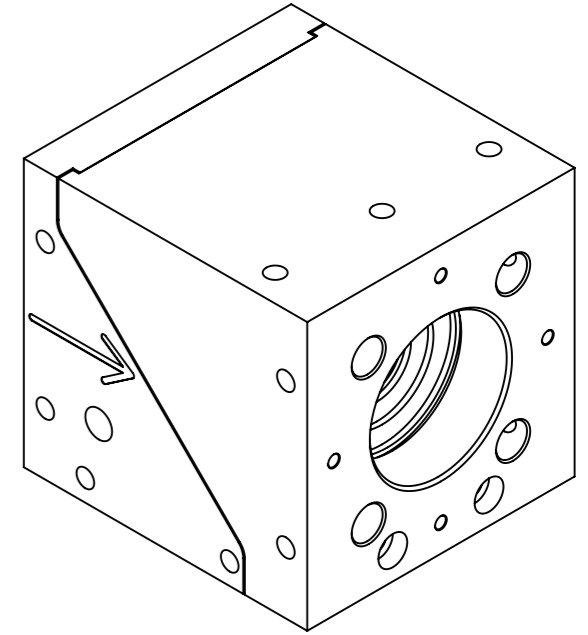
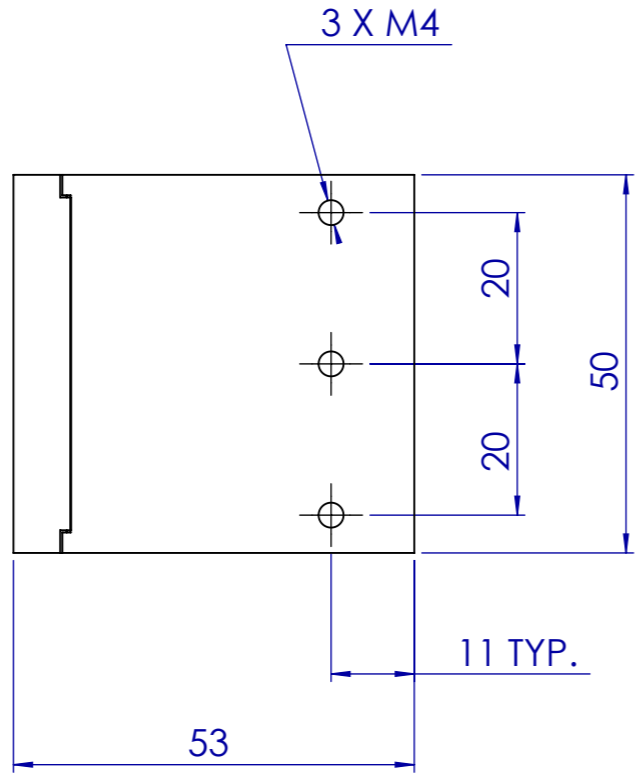
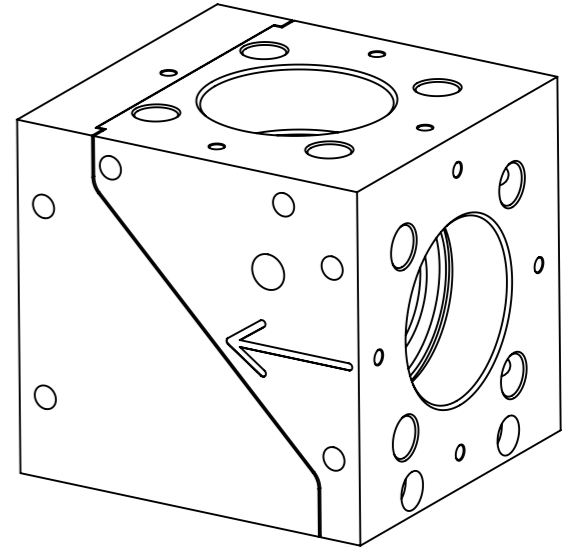
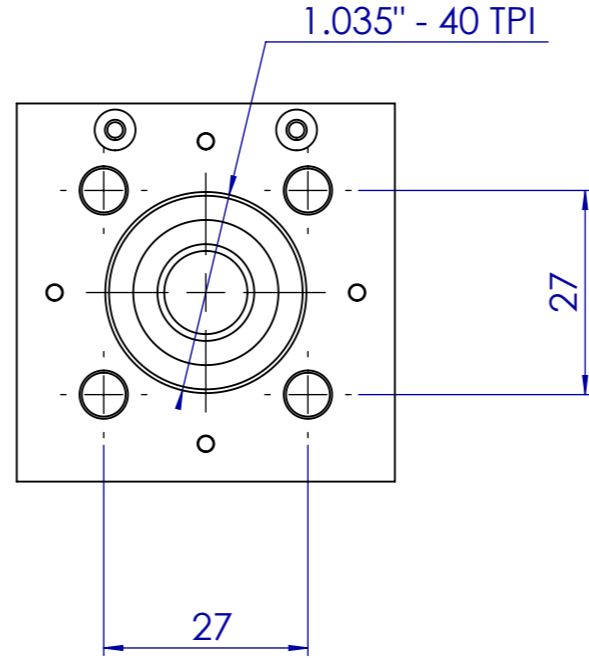
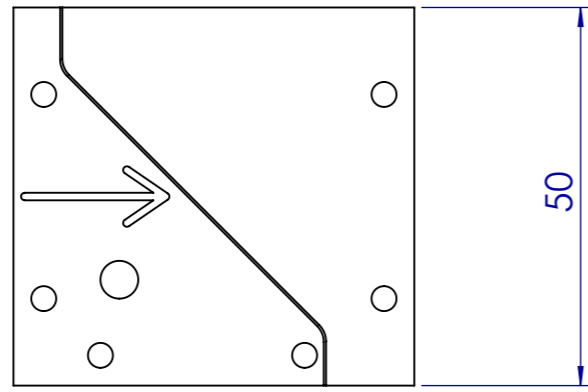
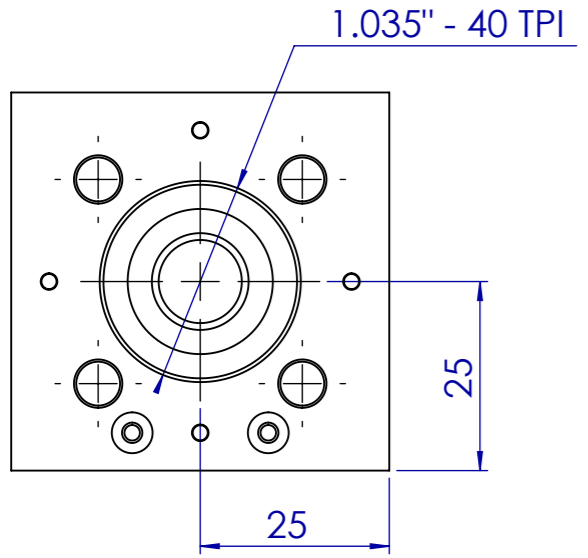
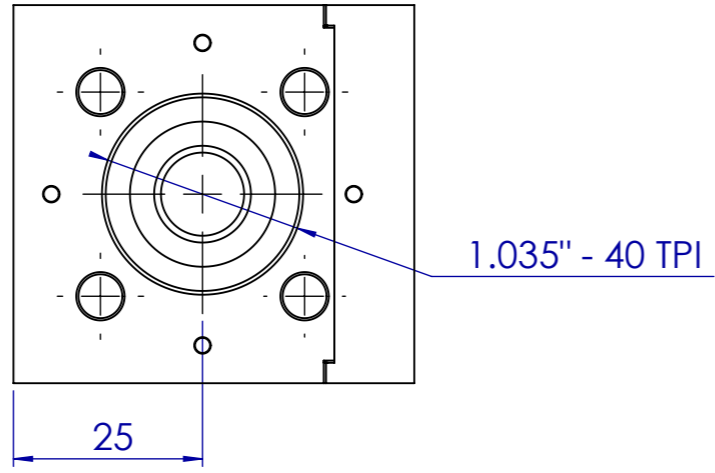


REVISIONS			
REV.	DESCRIPTION	DATE	APPROVED



FINISH: -				DIMENSIONS ARE IN mm. UNLESS OTHERWISE SPECIFIED		SCALE 1:1		<b>Prizmatix</b>	
MATERIAL -				TOLERANCES		DESCRIPTION (USER)			
DESIGN	ADI G.	ADI G.	15/5/2007	LINEAR DIM.	±0.1	DWG. No.		<b>ASSY BLOCK</b>	
DRAWN	ADI G.	ADI G.	15/5/2007	BORE	±0.1	REV. 0			
APPR.	-	-	-	ANGULAR DIM.	±0.5°	SHEET 1 OF 1			
DRG. SIZE	SURFACE ROUGHNESS: N6		3-D PROJ	BREAK SHARP EDGES 0.2X45°					
<b>A3</b>									